



AUDION

Packaging Machines

Together we make the perfect package

Power Sealer Plus

**Validatable
Impulse Sealer**

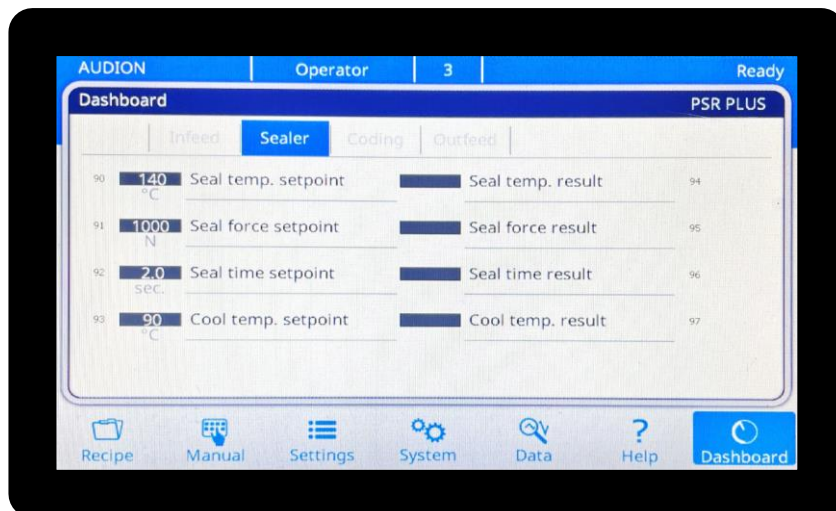
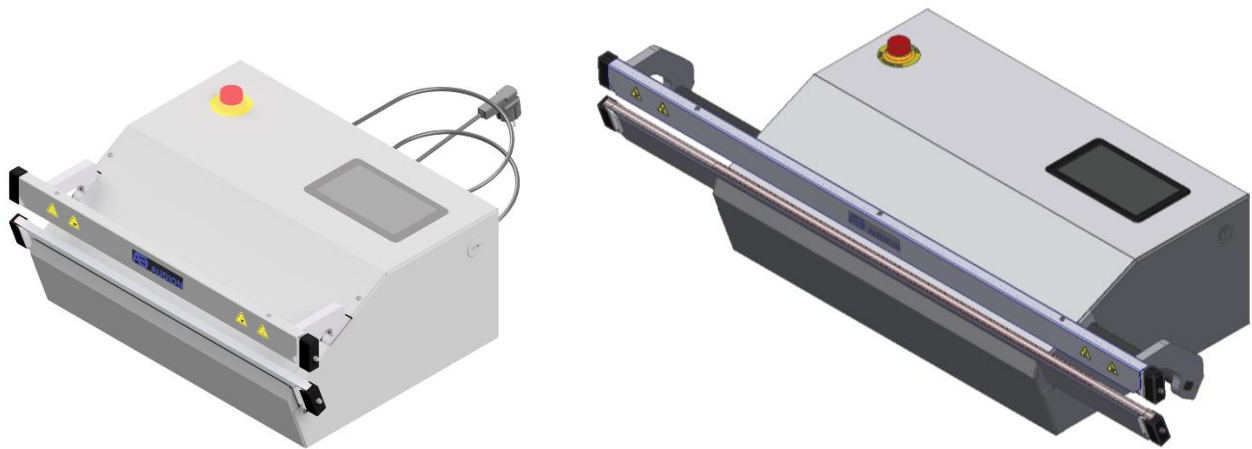
PSR PLUS

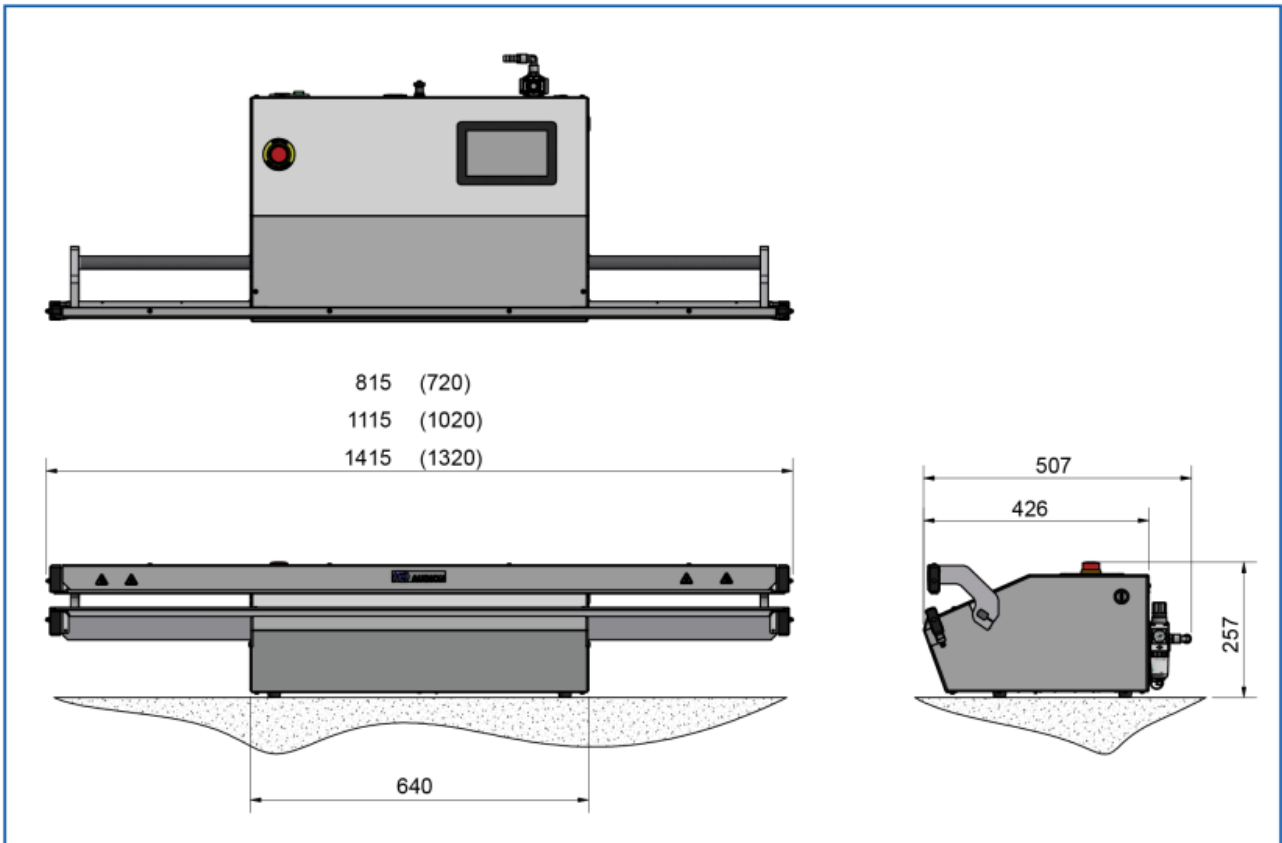
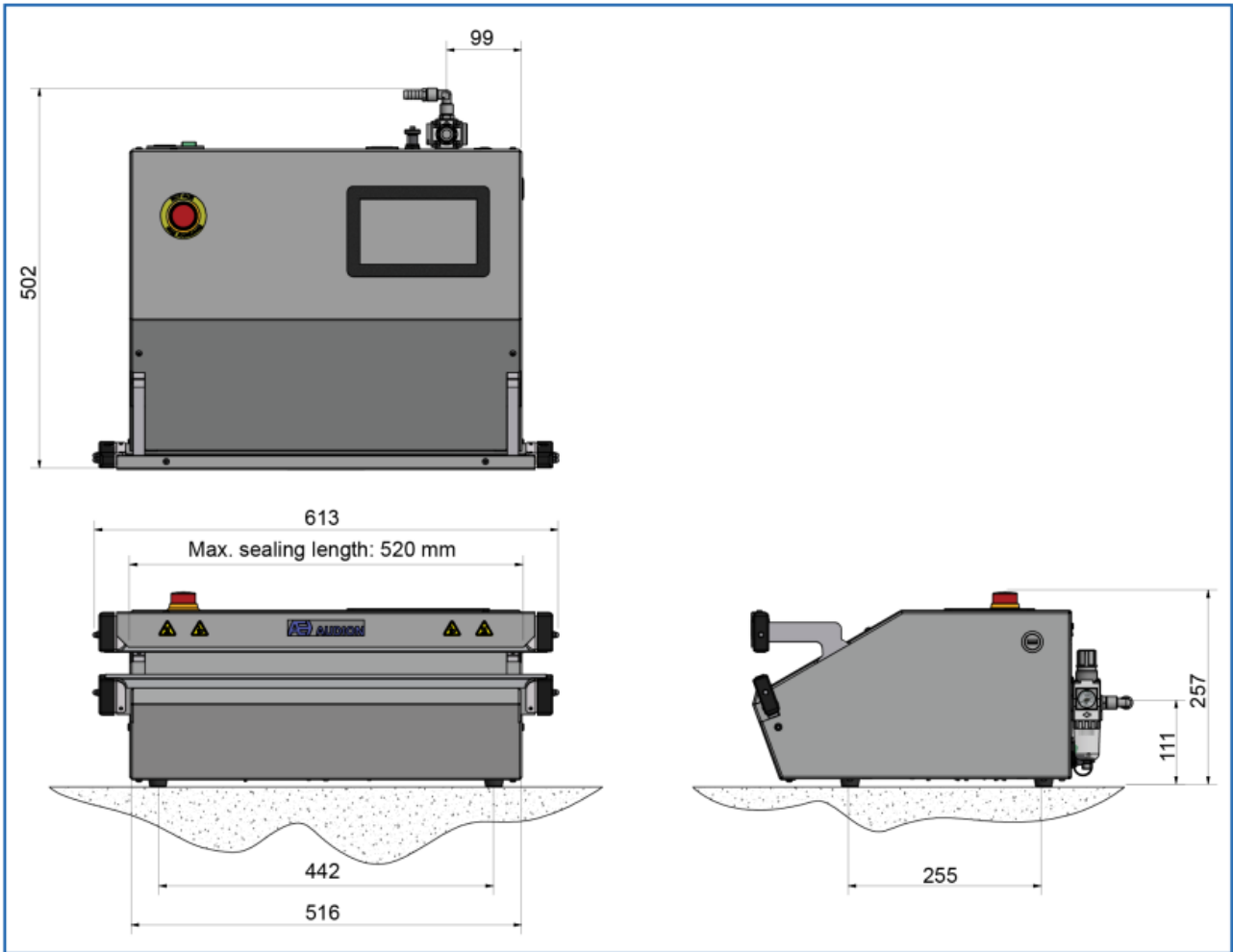
**Equipped with:
Audion Touch Techware
Version PS7.08.04**

**Technical
Specification Sheet**

Rev.00

General specifications				
Type of machine	Validatable impulse sealer			
Models	520	720	1020	1320
Machine dimensions WxDxH	613 x 502 x 257 mm	815 x 507 x 257 mm	1115 x 507 x 257 mm	1415 x 507 x 257 mm
Weight	40 kg	45 kg	47 kg	51 kg
Seal length	520 mm	720 mm	1020 mm	1320 mm
Seal width	8 mm			
Seal system	Bi-active seal, flat seal			
Control system	Audion Touch Techware Equipped with Audion Temperature Controller (ATC) + 7 inch touchscreen (ADC)			
Data transfer	USB			
Operation	Foot pedal, emergency switch			
Covering	Stainless steel			
Power supply	230 V – 1ph – 50/60Hz			
Power consumption	2500 W	3000 W	2600 W	2200 W
Pneumatic supply	0.6 MPa (min) – 1.0 MPa (max)			
Noise level	≤ 85 (dB(A))			
Applicable standards	ISO 11607-2 / ISO/TS 16775 / EN 868-5 / DIN 58953-7			





Technical specifications			
Recipe	Storage	50 recipes	
	Recipe backup (.bin file through USB stick)	Copy recipe to USB Load recipe from USB	
Process parameters	Seal temperature Setting range Tolerance range Accuracy	100 – 200 °C 0 – 20 °C (default 5 °C) +/- 3°C or +/- 2% (whichever is larger)	
	Seal force Setting range Tolerance range	600 – 1200 N 0 – 150 N (default 100 N)	
	Seal time Setting range	0.8 – 10.0 sec.	
	Cooling temperature Setting range	50 – 150 °C	
Adjustable parameters	Fine tuning for calibration	Seal temperature Seal force	
Validation functions	Parameter monitoring (alarm stop)	Seal temperature Seal force Effective seal time Cooling time	
	Data logging (.csv file through USB stick)	Machine ID Login level Recipe name Batch number Parameter settings Parameter tolerance Alarm limits Date/time Seal ID Parameters results Pass/fail Alarm code	
System & functions	Login level	Operator Supervisor (password access) Administrator (password access)	
	Language	English German Italian Czech	Netherlands French Japanese Chinese
	Alarm history	Date/time Alarm code/descriptions	
	Counter	Bag counter (resettable) Machine counter (non-resettable) Batch counter (resettable)	

Options	Codes	Descriptions
Support	SP PSR	Support for 520 in stainless steel
	SP PSRWB	Support for 720 – 1320 in stainless steel
	SP WPW	White polyamide wheels for cleanroom for SP PSR (instead of the standard grey wheels)
	PSR1 RB	Roller conveyor in stainless steel for SP PSR Not available for SPM-CONF
	SPM-CONF	Motorized support in stainless steel for 720 -1320
	SPM WL EP	Wider legs to place the support legs around euro pallet Additional option for SPM-CONF
Bag support	BS PSR	Bag support in stainless steel for 520 -1320 Additional option for SP / SPM-CONF
	BSPM	Motorized bag support in stainless steel for 720 -1320 Additional option for SPM-CONF
Work table	OT PSR	Work table for 520 in stainless steel, attached to frame
	OT PSRWB	Work table for 720 in stainless steel, attached to frame
Sealing wire	TW	Twin seal 2 x 3 mm
	5MM SW	5 mm seal (instead of 8 mm)
	10MM SW	10 mm seal (instead of 8 mm)
Cutting	CD 520	Cutting device - effective cutting length: 520 model: 450 mm 720 model: 650 mm 1020 model: 950 mm 1320 model: 1250 mm
	CD 720	
	CD 1020	
	CD 1320	
External air exhaust	PSR EXH IST	External air exhaust from pneumatics (valves and cylinders)
Bag stretching	BST 720	Bag stretchers for 720
	BST 1020	Bag stretchers for 1020
	BST 1320	Bag stretchers for 1320
Water cooled sealing bars	WCSB	Water cooled sealing bars
	CR	Coolant reservoir
Foot pedal	PFP	Pneumatic foot operation
	370-05001-90	Electrical foot operation IP67
Start button	START	Start button on machine
	THS	Two hands start - start signal by pressing 2 buttons
Barcode scanner	BCSC	Quick recipe change by scanning a barcode Scanner : Honeywell Voyager 1400g
Labeller	LBL	For printing tracing information on labels and apply on bags Label printer : CAB MACH2
Software options	MPE	Maximum permissible error (parameter uncertainty)
	SW-UA	User admin (access control with login ID and password)

Options	Codes	Descriptions
Special construction	EAATT	Ergonomically angled Audion Touch Techware
	ATT PROTECT	Plexiglass cover to protect touchscreen
	FSS	Finger safety switch (additional safety sensors to provide extra finger protection)
	ESD	Electro-static discharge construction
	SILA	Silicone poor construction
	PSR_TFC	Thick film configuration
	115V	115V power supply
Power cable	PCUK	Power cable for UK
	PCCH	Power cable for Switzerland
	PCUS	Power cable for USA / Japan
	PCCN	Power cable for China

Accessories / Services	Codes	Descriptions
Parameter verification	ATM	Seal temperature verification set
	AFMR	Seal force verification set
Calibration	SERVKAL PSRPLS AE	Audion factory calibration
IQ/OQ Check	IQ/OQ VAL	1 x IQ check for 1 machine > Operation training (max. 4 persons) > Maintenance training (max. 4 persons) OQ check for 1 type of bag > Peel test for defining seal temperature > Peel test with defined seal temperature > Dye penetration test > Seal check
	OQC	Extra OQ check for each extra bag
Seal integrity test	SIT	Seal integrity test service > Peel test > Dye penetration test > Seal check
	APT 100	Peel tester
	ASC SHEET	Seal check sheet
	ASC ROLL	Seal check sheet in roll
	ASC INK-B	Blue ink for dye penetration test

Data logging file

AUDION ELEKTRO LOG FILE									
Machine ID:	ETO19048								
Username:	APS								
Recipe:	TEST								
Batch:	ABC12345								
	Seal Time	Monitored eff. seal time	Seal Temp	Seal Force	Cool Temp	Monitored cool time			
	Setpoint	2	140	850	80				
	TOL		10	100					
	UAL		3.5	150	950	10			
	LAL			130	750				
Date&Time [YYYY-MM-DD hh:mm:ss]	Seal ID	Seal Time	Monitored eff. seal time	Seal Temp	Seal Force	Cool Temp	Monitored cool time	Pass/Fail	Alarm Code
2019/10/4 14:28	38	2	3.1	140	857.6	80	7.9	Pass	
2019/10/4 14:29	39	2	3.1	139.8	862.1	80	7.8	Pass	
2019/10/4 14:31	40	2	3.1	139.8	858	80	8	Pass	
2019/10/4 14:32	41	2	3.2	139.9	742.7	80	7.9	Fail	30

Labeller



Type	VMS 333 VAL
Mach ID	ET020055
Username	
Recipe	SEAL160
Batch nr.	Init

Date (YY-MM-DD)	21-02-17
Time (HH:MM:SS)	11:08:29
Seal ID	15
Pass/Fail	Pass
Alarm nr.	

Measuring instruments for parameter verification

Seal temperature



ATM

- Measurement range: -50°C to 260°C
- Resolution: 0,1°C (up to 199,9°C) / 1 °C (above 200°C)
- Accuracy display unit: 0.3% of reading + 1°C
- Accuracy sensor: +/- 2,2 °C or +/- 0,3% of measurement (whichever is larger)
- Measuring rate: 2,5 per second
- Minimum and maximum values readable
- Operating conditions: +5 ... 50 °C, 30 – 70% RH (non-condensing)
- Power supply: 9V battery
- Battery life: +/- 100 hours
- Dimensions: 63 (W) x 186mm (L) x 40mm (D)
- Weight: 350 grams

Seal force



AFMR

- Measurement range: max. 2000 N
- Resolution: 0,1 N
- Accuracy class: 0,5 %
- Operating temperature range: -10 ... +50 °C
- Max. Overload: 120%
- Measuring rate: 50 per second
- Power supply: 3x AA batteries
- Battery life: +/- 40 hours
- Environmental protection: IP 54
- Dimensions: 82mm (W) x 162mm (L) x 54mm (D)
- Weight: 670 grams (excluding mounting tools)